

# Schletter Solar Mounting Systems



## Component Overview 2012



# Table of contents

## Component Overview 2012

### Our operation is certified according to

DIN EN ISO 9001:2008

DIN EN ISO 3834 Part 2  
Extensive demands on quality in the  
welding operation

DIN EN 15085-2  
Certification level CL1

DIN 6700-2 component category class C2

Manufacturer qualification according to  
DIN 18800-7:2002-09 class E

Manufacturer qualification according to  
DIN V 4113-3 class C Aluminium



Scan this QR code  
with your Smart-  
phone to receive  
the Schletter App

### Schletter-App

- QR-Code Reader
- Auto-completion capability facilitates form-filling on Schletter pages
- Delivery Status of your orders with Schletter
- Upload of contact QR codes into the address book of your Smartphone

**Fastening elements** **from page // 05**

Roof hooks	Page // 06
Corrugated roof mounting	Page // 15
Standing seam clamps	Page // 17
StandOff	Page // 21
FixE / FixT	Page // 22

**Fastening elements** **from page // 27**

for framed modules	Page // 28
for framed modules	Page // 30

**Standard profile and accessories** **from page // 35**

Profile series 05	Page // 36
Cable duct MaxK	Page // 41

**System-specific components** **from page // 43**

Inlay system	Page // 44
Plandach5	Page // 47
FixZ-7 / FixZ-15	Page // 48

**Flat roof systems** **from page // 51**

Supports and accessories	Page // 54
--------------------------	------------

**Special profiles** **from page // 61**

Profile series DN	Page // 62
-------------------	------------

**Large projects** **from page // 67**

**Screws, bolts and accessories** **from page // 71**

Scan this QR code  
with your Smart-  
phone to receive  
this document in  
PDF format





# FASTENING ELEMENTS

Our products in the area: Fastening elements:

Roof hooks

Corrugated roof mounting

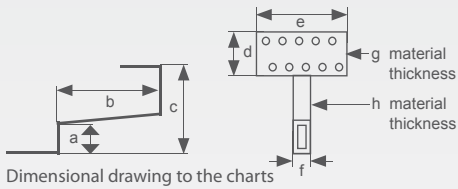
Standing seam clamps

StandOff

FixE / FixT

# Roof hooks fastening elements

Scan this QR code with your Smartphone to receive further info relating to this product area.



Mounting plan

## Overview - Roof hooks

- all roof hooks are of quality steel
- adjustable hooks are fully pre-assembled

Wood screws, hexagon nuts (M10x25mm / 1inch) and flange nuts must be ordered separately!

### Roof hooks for minimal snow- and normal wind loads

- VA-quality
- Welded
- Symmetric bar arrangement

#### 100002-000 Roof hook Eco G

	a	b	c	d	e	f	g	h
mm	45	110	132	60	150	30	5	5
inches	1.77	4.33	5.20	2.36	5.91	1.18	0.20	0.20

#### 100003-000 Roof hook Eco V

	a	b	c	d	e	f	g	h
mm	45	105	117-147	60	150	30	5	5
inches	1.77	4.13	4.61-5.79	2.36	5.91	1.18	0.20	0.20

### Roof hooks for higher snow- and wind loads

- VA-quality
- Welded
- Symmetric bar arrangement
- Various sizes available for improved rear airing.

#### 100004-000 Roof hook Eco S 135 (Normal height 135mm)

	a	b	c	d	e	f	g	h
mm	45	110	135	60	150	35	5	6
inches	1.77	4.33	5.31	2.36	5.91	1.38	0.20	0.24

#### 100004-001 Roof hook Eco S 135 KlickTop

#### 100007-000 Roof hook Eco S 165 (Custom height 165mm)

	a	b	c	d	e	f	g	h
mm	45	110	165	60	150	35	5	6
inches	1.77	4.33	6.50	2.36	5.91	1.38	0.20	0.24





KlickTop

**100008-000** Roof hook Eco S 195 (Custom height 195mm)

	a	b	c	d	e	f	g	h
mm	45	110	195	60	150	35	5	6
inches	1.77	4.33	7.68	2.36	5.91	1.38	0.20	0.24

**100009-000** Roof hook Eco SV (extra stable, adjustable)

	a	b	c	d	e	f	g	h
mm	45	110	120-150	60	150	35	5	6
inches	1.77	4.33	4.72-5.91	2.36	5.91	1.38	0.20	0.24

**100009-001** Roof hook Eco SV KlickTop

## Special design of roof hook Eco S 135

**100004-002** Roof hook Eco S 135 right

Bar arrangement right

**100006-000** Roof hook Eco S 135 35mm

For low battens a = 35mm / 1.38inches

**100005-000** Roof hook Eco S 135 Bar 130

For large tile formats b = 130mm / 5.12inches

## Roof hook for particularly heavy snow loads

- VA-quality
- Welded
- Symmetric bar arrangement



KlickTop

**100010-000** Roof hook VaMax

	a	b	c	d	e	f	g	h
mm	45	120	145	80	180	35	6	8
inches	1.77	4.72	5.71	3.15	7.09	1.38	0.24	0.31

**100010-001** Roof hook VaMax KlickTop

KlickTop

**100011-000** Roof hook VaMax (adjustable)

	a	b	c	d	e	f	g	h
mm	45	120	125-165	80	180	35	6	8
inches	1.77	4.72	4.92-6.50	3.15	7.09	1.38	0.24	0.31

**100011-001** Roof hook VaMax KlickTop (adjustable)

# Roof hooks

## fastening elements

### Roof hook Universal

- VA-quality
- Variable bar arrangement
- Adjustable at front and rear
- Middle bar can be set in three different positions

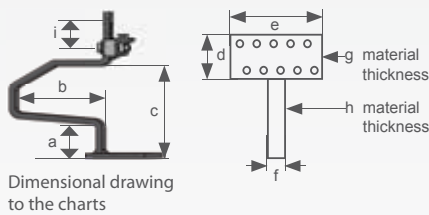


KlickTop

#### 100001-000 Roof hook Universal (Frankfurter Pantile or interlocking tile)

	a	b	c	d	e	f	g	h
mm	37-47	115	78-125	75	150	30	5	6
inches	1.46-1.85	4.53	3.07-4.92	2.95	5.91	1.18	0.20	0.24

#### 100001-001 Roof hook Universal KlickTop



Dimensional drawing to the charts

### Roof hooks Rapid<sup>2+</sup>

- VA-quality
- Welded
- Symmetric bar arrangement
- Pre-assembled

#### 101001-000 Roof hook Rapid<sup>2+</sup> 45

	a	b	c	d	e	f	g	h	i
mm	45	110	118	60	150	35	5	6	30
inches	1.77	4.33	4.65	2.36	5.91	1.38	0.20	0.24	1.18

Comparable to: Eco S 100004-000, 100004-001, 100009-000

#### 101001-001 Roof hook Rapid<sup>2+</sup> 45V

	a	b	c	d	e	f	g	h	i
mm	45	110	125	60	150	35	5	6	30
inches	1.77	4.33	4.92	2.36	5.91	1.38	0.20	0.24	1.18

As for 101001-000, but for vertical rail mounting

Comparable to: Eco S 100004-000, 100004-001, 100009-000

#### 101002-000 Roof hook Rapid<sup>2+</sup> 35

	a	b	c	d	e	f	g	h	i
mm	35	110	108	60	150	35	5	6	30
inches	1.38	4.33	4.25	2.36	5.91	1.38	0.20	0.24	1.18

As for 101001-000, but 35mm / 1.38inch bracket height for low battens

Comparable to: Eco S 100006-000

#### 101003-000 Roof hook Rapid<sup>2+</sup> 55

	a	b	c	d	e	f	g	h	i
mm	55	110	116	60	150	35	5	6	30
inches	2.17	4.33	4.57	2.36	5.91	1.38	0.20	0.24	1.18

As for 101001-000, but 55mm / 2.17inch bracket height for low battens or large tile formats





#### 101004-000 Roof hook Rapid<sup>2+</sup> Universal

	a	b	c	d	e	f	g	h	i
mm	40-54	110	116	60	150	35	5	6	30
inches	1.57-2.13	4.33	4.57	2.36	5.91	1.38	0.20	0.24	1.18

Universally adjustable, for vertical rail mounting  
Comparable to: Universal 100001-000



#### 101005-000 Roof hook Rapid<sup>2+</sup> Max

	a	b	c	d	e	f	g	h	i
mm	45	120	125	80	180	35	6	8	30
inches	1.77	4.72	4.92	3.15	7.09	1.38	0.24	0.31	1.18

As for 101001-000, but with 35x8mm /1.38x0.31inches bar height for heavy snow loads  
Comparable to: VaMax 100010-000, 100010-001, 100011-000, 100011-001



#### 101005-001 Roof hook Rapid<sup>2+</sup> Max 150

	a	b	c	d	e	f	g	h	i
mm	43	150	125	80	180	35	6	8	30
inches	1.69	5.91	4.92	3.15	7.09	1.38	0.24	0.31	1.18

As for 101005-000, but with extended bar (size b) for large tile formats  
Comparable to: VaMax 100010-000, 100010-001, 100011-000, 100011-001



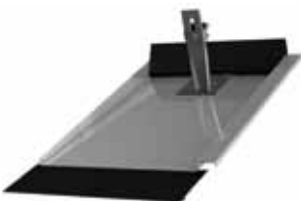
#### 101006-000 Roof hook Rapid<sup>2+</sup> MaxV

	a	b	c	d	e	f	g	h	i
mm	45	120	125	80	180	35	6	8	30
inches	1.77	4.72	4.92	3.15	7.09	1.38	0.24	0.31	1.18

As for 101005-000, but for vertical rail mounting  
Comparable to: VaMax 100010-000, 100010-001, 100011-000, 100011-001

## Alu-Tile alu-substitute tile

Replaces a complete roof tile thus dispensing with otherwise necessary tile adaptation work. Particularly suited to areas with high snow loads, incl. VA roof hooks with Rapid top piece.



#### 103002-000 Alu-Tile BEZ for Braas Universal Ubl kit

#### 103002-001 Alu-Tile BEZ for Creaton Rustico kit

#### 103002-002 Alu-Tile BEZ for Erlus interlocking tile kit

#### 103002-003 Alu-Tile BEZ for Erlus large interlocking tile kit

#### 103002-004 Alu-Tile BEZ for Erlus E-58 flat roof kit

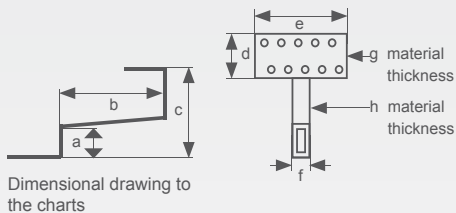
#### 103002-005 Alu-Tile BEZ for Creaton MZ3 kit

#### 103002-006 Alu-Tile BEZ for Erlus G&R XXL kit

#### 103002-007 Alu-Tile BEZ for Creaton Gratus kit

# Roof hooks

## fastening elements



### Special roof hooks Slate/Prefa

- VA-quality
- No plate

An optimal mounting design for slate roofs is dependent upon the roof pitch!

#### 102001-000 Roof hook Slate Prefa (basic)

	Length	Height	Breadth	Thickness
mm	235	75	30	5
inches	9.25	2.95	1.18	0.20

#### 102001-001 Roof hook Slate Prefa (basic)

	Length	Height	Breadth	Thickness
mm	235	60-90	30	5
inches	9.25	2.36-3.54	1.18	0.20

### Roof hook plain tile

- VA-quality

Please ensure that the hook design is suitable for the respective roof material.



#### 103001-001 Roof hook Biberschwanz (basic)

	a	b	c	d	e	f	g	h
mm	45	255	125	60	30	30	5	5
inches	1.57	10.04	4.92	2.36	1.18	1.18	0.20	0.20

#### 103001-002 Roof hook Biberschwanz Universal (adjustable)

	a	b	c	d	e	f	g	h
mm	40	240	107-137	75	150	30	5	6
inches	1.77	9.45	4.21-5.39	2.95	5.91	1.18	0.20	0.24

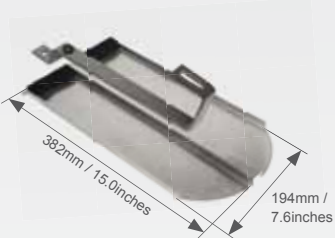
#### 103011-000 Biberschwanz-fastening kit galv.. (basic)

	a	b	c	d	e	f	g	h
mm	32	255	125	60	30	30	5	5
inches	1.26	10.04	4.92	2.36	1.18	1.18	0.20	0.20

Biberschwanz substitute tile, galvanized with integrated VA-hook  
Extra resistant to snow loads!

#### 103012-000 Biberschwanz-fastening kit Copper (basic)

Biberschwanz copper substitute tile with integrated VA-hook



#### 103013-000 Biberschwanz-fastening kit Alu (basic)

	a	b	c	d	e	f	g	h
mm	32	260	130	45	30	30	5	5
inches	1.26	10.24	5.12	1.77	1.18	1.18	0.20	0.20

Biberschwanz substitute **Alu** tile with integrated VA-hook  
Extra resistant to snow loads!



#### 103011-001 Biberschwanz-fastening Univ. galv. (Universal)

	a	b	c	d	e	f	g	h
mm	35	245	110	71	140	30	5	5
inches	1.38	9.65	4.33	2.80	5.51	1.18	0.20	0.20

Biberschwanz substitute tile, **galvanized** with integrated VA-hooks and additional fastening plate (adjustable at the sides). The optimum fastening method! Particularly resistant to snow loads and safe under large wind loads thanks to secure fastening to the rafters!



#### 103012-001 Biberschwanz Biberschwanz fastening kit, Copper (Universal)

Biberschwanz substitute tile, copper with integrated VA hooks and additional fastening plate (adjustable at the sides).

### Roof hook Thermodach

- Specially customized for application on thermal (Thermodach) roofs
- Fastening holes 7mm / 0.28inches



#### 109013-000 Roof hook Thermodach

	Length	Height	Breadth	Thickness
mm	235	75	35	6
inches	9.25	2.95	1.38	0.24

### Roof hook special design Bitumen

- Flat hook design
- Specifically adapted for fastening between bitumen tiles



#### 109001-000 Roof hook Bitumen

	Length	Height	Breadth	Thickness
mm	255	75	40	4
inches	10.04	2.95	1.57	0.16

# Roof hooks

## fastening elements



### Roof hook special design Tegalit

- No fastening plate
- For flat Tegalit tiles

#### 109003-000 Roof hook Tegalit

	a	b	c	d	e	f	g	h
mm	52	180	132	60	30	30	5	5
inches	2.05	7.09	5.20	2.36	1.18	1.18	0.20	0.20

### Roof hook PP

- For purlin roofs with pan-tile roofing

Given the distribution of purlins, these hooks are generally to be combined with a cross rail system.



#### 109004-000 Roof hook system PP Purlin Pan

	a	b	c	d	e	f	g	h
mm	50	110	135	200	50	35	5	6
inches	1.97	4.33	5.31	7.87	1.97	1.38	0.20	0.24

### Roof hook Mönch-Nonne

- For special tile designs - Mönch / Nonne
- Particularly in South European countries.



#### 109005-000 Roof hook Mönch Nonne - purlin (adjustable)

	a	b	c	d	e	f	g	h
mm	100-130	110	185-215	200	50	35	5	6
inches	3.94-5.12	4.33	7.28-8.46	7.87	1.97	1.38	0.20	0.24

#### 109005-001 Roof hook Mönch Nonne - rafter (adjustable)

	a	b	c	d	e	f	g	h
mm	100-130	110	185-215	60	150	35	5	6
inches	3.94-5.12	4.33	7.28-8.46	2.36	5.91	1.38	0.20	0.24

Configurable for rafters or concrete

### Distance piece

- Distance piece for roof hook mounting (to be applied in pairs)



#### 109006-002 Distance piece 2mm DN 8 (2mm / 0.08inches)

#### 109006-005 Distance piece 5mm DN 8 (5mm / 0.20inches)

## Compensating plate

- for connector M10 (consider screw length, if necessary!)



**109007-002** Distance piece 2mm DN 10 Aluminium (2mm / 0.08inches)

**109007-005** Distance piece 5mm DN 10 Aluminium (5mm / 0.20inches)

**109007-012** Distance piece 2mm DN 10 PA plastic (2mm / 0.08inches)

**109007-015** Distance piece 5mm DN 10 PA plastic (5mm / 0.20inches)

## Spacer plate

- for roof hook mounting



**973000-017** Spacer plate 2mm EcoG / EcoS / Rapid Standard

**973000-018** Spacer plate 5mm EcoG / EcoS / Rapid Standard

**973000-019** Spacer plate 2mm VaMax / Rapid Max

**973000-020** Spacer plate 5mm VaMax / Rapid Max



**973000-221** Roof hook sealing tape grey TP600 10m

**109008-000** KlickTop Roof hook attachment

Specifically designed for special roof hooks which are not available as KlickTop.

Not suitable for bitumen roof hooks!

**109009-002** Plastic distance tube, custom cut

- For on-rafter insulation
- Applicable as a distance piece for on-rafter insulations in combination with extra long bolts;
- Plastic design prevents cold bridges!
- Please specify required length when ordering
- Bolts to be ordered separately!
- Please take into account the reduced permissible load per hook!

**109010-000** Additional angle bracket Iso7

- for roof hook fastening - System Iso7



Application example



Application example



# Roof hooks

## fastening elements



Application example



### 109014-000 ECO90-Angle bracket kit

- for roof hoofs

Facilitates roof-hook mounting on structures with glulam beams Incl. bolts and nuts for fastening ECO90 angle brackets to the roof hooks.

### Area of application

Fastening of solar and photovoltaic plants to the substructure of tiled roofs.

### Technical data

<b>Material</b>	Roof hooks and bolts: High-grade steel 1.4301 Distance pieces, compensating plates, KlickTop and Rapid profile clamping. Aluminium components: High-grade steel 1.4301
<b>Statics</b>	Structural analysis in accordance with current national standards (in Germany DIN1055 and EC1). Structural appendix for dimensioning the number of required fastening points, based on structural analysis. Please ensure you observe the structural analysis information for each case. Verification for adhesive forces of a roof to the substructure is not included in any of the general structural analysis appendices!

System prices can be obtained quickly and easily with our Autokalkulator!  
Please refer to our website: [www.schletter.eu](http://www.schletter.eu)

# Corrugated roof fastening elements



Scan this QR code with your Smartphone to receive further info relating to this product area.



Mounting plan

## Corrugated roof mounting Overview

For corrugated eternit or trapezoidal sheet metal roofs, so-called corrugated roof fastening kits are used, comprising a special hanger bolt with EPDM-sealing and a mounting plate.



**943810-160** Loose hanger bolts without nuts M10x160mm / 6.3inches

**943810-200** Loose hanger bolts without nuts M10x200mm / 7.9inches

**943812-200** Loose hanger bolts without nuts M12x200mm / 7.9inches

**943812-250** Loose hanger bolts without nuts M12x250mm / 9.8inches

**943812-300** Loose hanger bolts without nuts M12x300mm / 11.8inches

**943812-350** Loose hanger bolts without nuts M12x350mm / 13.8inches

**943812-400** Loose hanger bolts without nuts M12x400mm / 15.7inches



**110010-200** Hanger bolt kit 10x200 mounted M10x200mm / 7.9inches

**110012-200** Hanger bolt kit 10x200 mounted M10x200mm / 7.9inches

**110012-300** Hanger bolt kit 12x300 mounted M12x300mm / 11.8inches

**110012-350** Hanger bolt kit 12x350 mounted M12x350mm / 13.8inches

**110012-400** Hanger bolt kit 12x300 mounted M12x300mm / 15.7inches

Pre-assembled hanger bolt kit with vulcanized EPDM-seal (UV-resistant) and 3 flange nuts in V4A, assembled

## KlickTop configuration for particularly quick and easy mounting



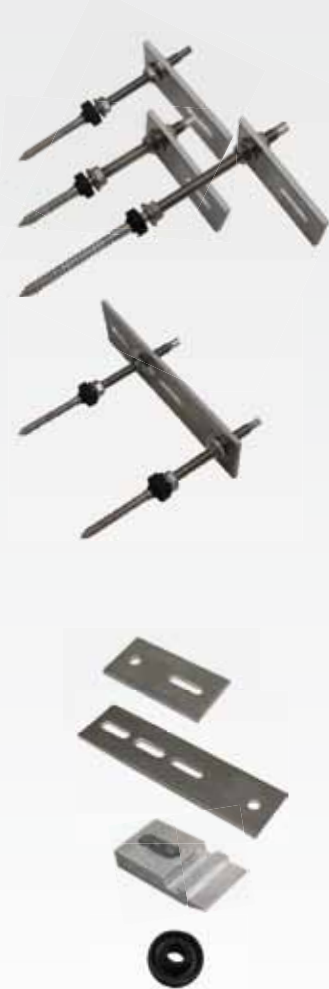
**111110-200** Fastening kit for corrugated roofs 10x200 KlickTop  
M10x200mm / 7.9inches

**111112-200** Fastening kit for corrugated roofs 12x200 KlickTop  
M12x200mm / 7.9inches

**111112-300** Fastening kit for corrugated roofs 12x300 KlickTop  
M12x300mm / 11.8inches

KlickTop corrugated roof fastening kit incl. KlickTop kit, hanger bolt with vulcanized EPDM-seal (UV-resistant) and 3 flange nuts in V4A

# Corrugated roof fastening elements



**111010-200** Fastening kit for corrugated roofs 10x200 KlickTop  
M10x200mm / 7.9inches

**111012-200** Fastening kit for corrugated roofs 12x200 M12x200mm / 7.9inches

**111012-300** Fastening kit for corrugated roofs 12x300 M12x300mm / 11.8inches

KlickTop corrugated roof fastening kit incl. mounting plate, hanger bolt with vulcanized EPDM-seal (UV-resistant) and 3 flange nuts in V4A

**111210-200** Dual fastening kit for corrugated roofs 10x200 M10x200mm / 7.9inches

**111212-200** Dual-fastening kit for corrugated roofs 12x200 M12x200mm / 7.9inches

**111212-300** Dual-fastening kit for corrugated roofs 12x300 M12x300mm / 11.8inches

Dual corrugated roof fastening kit incl. mounting plate, 2 hanger bolts with vulcanized EPDM-seals (UV-resistant) and 6 flange nuts, suitable for fibre cement plates or "Berliner Welle" 133 / 177mm

**119002-000** Mounting plate for hanger bolt M10 / M12  
for hanger bolts M10 / M12, loose, aluminium  
120x60x6mm / 4.72x2.36x0.24inches

**119003-000** Dual mounting plate with hanger bolts M10 / M12  
for hanger bolts M10 / M12, loose, aluminium  
Extra stable design

**119001-000** KlickTop attachment for hanger bolt  
for hanger bolts M10 / M12, loose, aluminium

**973000-002** EPDM seal for hanger bolt M10 / M12  
EPDM, UV-resistant

## Area of application

Fastening of solar and photovoltaic plants to the substructure of corrugated eternit roofs or trapezoidal sheet metal roofs.

## Technical data

**Material** Bolts: High-grade steel 1.4301  
Mounting plate / KlickTop attachment: Aluminium  
Rubber seal: vulcanized EPDM-seal (UV-resistant)

**Statics** Structural analysis in accordance with current national standards (in Germany DIN1055 and EC1). Appendices for dimensioning the number of required fastening points, based on structural analysis. Please ensure you observe the structural analysis information for each case. Verification for adhesive forces of a roof to the substructure is not included in the respective structural analysis appendices!

System prices can be obtained quickly and easily with our Autokalkulator!  
Please refer to our website: [www.schletter.eu](http://www.schletter.eu)

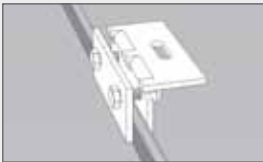


# Standing seam clamps

## fastening elements



Scan this QR code with your Smartphone to receive further info relating to this product area.



Mounting plan

## Standing seam clamps: Overview

Almost universally applicable!

Please note: Please limit tightening torque to avoid deformation of the standing seams and to ensure thermal expansions of the metal are not impeded!



For ClickTop

**112001-000** Standing seam clamp 503 standing seam roof VA  
for standing seam roofs  
Please note: With titanium sheeting please verify that the standing seams can withstand loading!

**112001-001** Standing seam roof seam clamp for Klicktop



For ClickTop

**112002-000** Seam clamp 510 KalZip  
for KalZip and Bemo roofs

**112002-002** Seam clamp 510 KalZip for Klicktop



For ClickTop

**112003-000** Standing seam clamp 520 Zambelli RibRoof465 Alu  
for Zambelli RibRoof, design 465 and similar

**112003-002** Seam clamp Zambelli RibRoof465 Klicktop



For ClickTop

**112004-000** Seam clamp 522 A Zambelli RibRoof500 Alu  
for Zambelli RibRoof, design 500 and similar

**112004-001** Seam clamp Zambelli RibRoof500 Klicktop



For ClickTop

**112006-000** Seam clamp 524 Fischer KlipTec 52-400 Alu  
for Fischer KlipTec 52/400 and similar

**112006-001** Seam clamp Fischer KlipT 52-400 Klicktop



**112007-000** Seam clamp 525 Domico VA  
for Domico and similar designs

# Standing seam clamps

## fastening elements



**112010-000** Seam clamp RC for RiverClack  
for RiverClack and similar



**129004-000** KlickTop-cross connector kit M8  
with bolt, Klick inlay and square nut for Klick groove M8. For mounting profiles to standing seam clamps using KlickTop



### Trapazoidal clamp Fix 2000

The universal fastening for trapezoidal sheet metal roofs for steel sheets from 0.5mm / 0.02inches and aluminium sheet metal from 0.8mm / 0.03inches. Also possible for steel and alu sheet metal from 0.55mm / 0.02inches on request.

Customized production (measurement checklist is available for download)! Instructions for use should be carefully observed!



**113002-000** Fix2000 KlickTop  
incl. 4 self-tapping screws

**113002-001** Fix2000 KlickTop with seal  
Design with glued-in EPDM rubber seal  
(Manufacturer recommendation)



**113001-000** Fix2000 Standard  
incl. 4 self-tapping screws and 1 screw kit M10

**113001-001** Fix2000 Standard with seal  
Design with glued-in EPDM rubber seal  
(Manufacturer recommendation)



**973000-014** EPDM seal for self-mounted assembly  
(10-m-Roll, 48mm wide)



**943706-025** Self-drilling screws with sealing ring

**119009-000** Gauging tool for Fix2000  
(to measure out trapezoidal sheet dimensions)

## System VarioFix

The universal fastening for trapezoidal sheet metal roofs for steel- and alu sheeting from 0.5mm / 0.02inches; Instructions for use should be carefully observed!



### 113009-100 SingleFix-V Solo pair kit

(2 x SingleFix-V Solo, 4 self-tapping screws)  
For use with e.g. assembly rail Solo

### 113009-200 SingleFix-V Solo mounting kit

(2 x SingleFix-V Solo, 4 self-tapping screws)  
Profile piece Solo 450mm / 17.72inches

### 113009-101 SingleFix-V Solo pair kit

(2 x SingleFix-V Solo, 4 self-tapping screws)  
For use with e.g. assembly rail Profi

### 113011-100 SingleFix-HU

### 113010-000 SingleFix-H

For horizontal module mounting on trapezoidal sheet metal roofs

### 113010-001 SingleFix-H with rubber seal

### 119015-002 Punched mounting tape 17x0.8 hole 5.2-5.3mm-50m

For connecting individual clamps as a potential connection or for fastening string cabling if mounting rails cannot be deployed

## Fastening element FixPlan

The alternative for smooth sheet metal roofs, i.e. with no standing seam to provide a base for fastening (e.g. titanium zinc metal roofs).



### 114001-001 FixPlan 12x200 KlickTop with hanger bolt 12x200

### 114002-001 FixPlan 12x200 KlickTop with hanger bolt 12x300

### 114001-000 FixPlan 12x200 with hanger bolt 12x200

### 114002-000 FixPlan 12x300 with hanger bolt 12x300

### 114003-000 FixPlan sealing mat

### 114004-000 Bituplan additional sealing for FixPlan

For mounting on bitumen roof coverings

# Standing seam clamps

## fastening elements

### Area of application

For fastening of solar plants and PV-plants to sheet metal roofs and to bitumen roofs.

### Important information on structural safety

- A sufficient holding force of the metal sheet to the substructure is prerequisite when mounting an assembly on the roof cladding. Please note that this verification must be provided by the customer!
- Sheet metal is particularly prone to stress in elevated plants. Please ensure a sufficient number of fastening points and provide proof of the holding capacity of the roof covering.
- The verified holding force of the standing seam clamp on the roof can be taken from the respective system structural analysis.
- Take into account the additional stress at roof edges and in the corner zones, or avoid these areas altogether when planning the plant assembly.
- The self-weight of the PV plant must be added to the snow load in order to calculate the maximal load incurred on the roof covering.

### Technical data

<b>Material</b>	Bolts: High-grade steel 1.4301 Profiles: EN AW 6063 T66 / AlMgSi0.5 Sheet metal components: High-grade steel 1.4302
<b>Statics</b>	Structural analysis in accordance with current national standards (in Germany DIN1055 and EC1). Structural analysis appendices for dimensioning the number of required fastening points, based on structural calculations and evidence drawn from tensile tests. Please ensure you observe the structural analysis information for each case. Verification for adhesive forces of a roof to the substructure is not included in any of the general structural analysis appendices!

System prices can be obtained quickly and easily with our Autokalkulator!  
Please refer to our website: [www.schletter.eu](http://www.schletter.eu)

# StandOff

## Fastening elements

Scan this QR code with your Smartphone to receive further info relating to this product area.



## StandOff overview

The fastening system for bitumen roof and membrane roofs of industrial buildings.



100mm / 3.94 inches

### StandOff

<b>188000-079</b>	StandOff Aluminium-mounting console 79mm / 3.11 inches
<b>188000-105</b>	StandOff Aluminium-mounting console 105mm / 4.13 inches
<b>188000-206</b>	StandOff Aluminium-mounting console 206mm / 8.11 inches
<b>188000-308</b>	StandOff Aluminium-mounting console 308mm / 12.13 inches

### StandOff - KlickTop Configuration

(incl. KlickTop attachment and nuts)







<b>188001-079</b>	StandOff Aluminium-mounting console 79mm / 3.11 inches
<b>188001-105</b>	StandOff Aluminium-mounting console 105mm / 4.13 inches
<b>188001-206</b>	StandOff Aluminium-mounting console 206mm / 8.11 inches
<b>188001-308</b>	StandOff Aluminium-mounting console 308mm / 12.13 inches

# FixE and FixT

## Fastening elements



Scan this QR code with your Smartphone to receive further info relating to this product area.

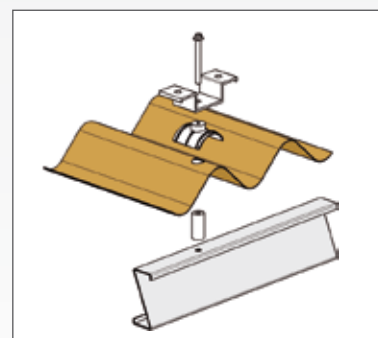
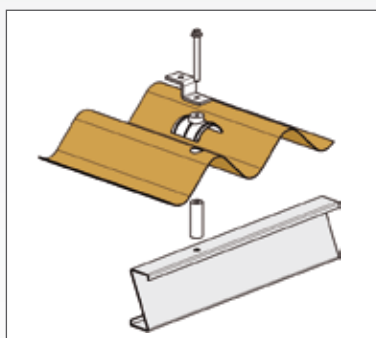
					Wood
					Steel
1	2	3	4	5	FixE/T size

Available sizes for application

## FixE and FixT Overview

The innovative fastening solution with steel and wooden purlins.  
**Order to be submitted by means of ☞ checklist FixE / FixT only**

### 111006-000 FixE Gr.1 Single fastening kit

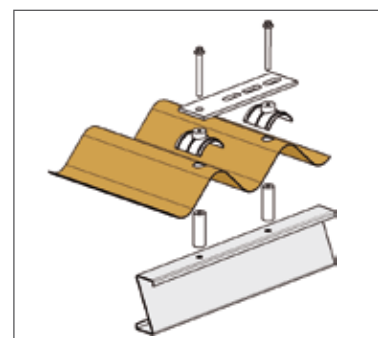
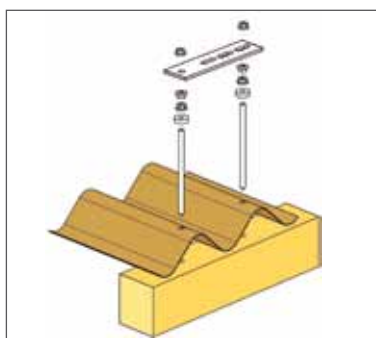


### 111007-000 FixT Gr.2 Twin fastening kit, plate

For distance between crests of

- of 133 and 177mm, +/- 10mm
- of 5.24 and 6.97inches, +/- 0.4inches

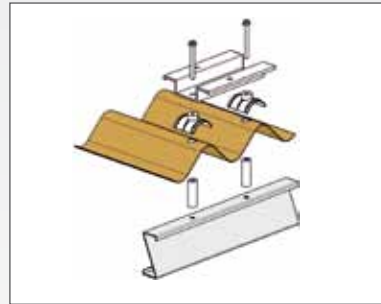
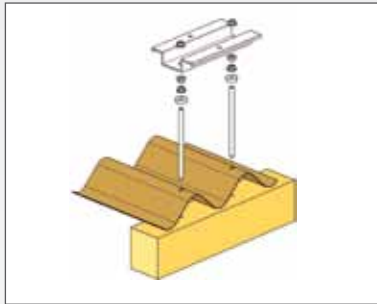
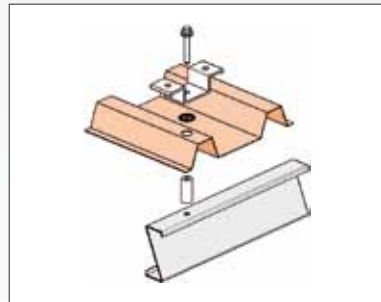
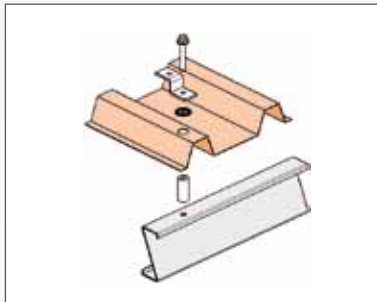
Slotted holes allow for adjustment



**Warning!**  
 Twin fastening kit for corrugated roofs: Item numbers and info on page 15

**113008-000** FixE Gr.3 Twin fastening kig, Top-hat profile

Production according to check lists

**113004-000** FixT Gr.1 Single fastening kit**113005-000** FixT Gr.2 Twin fastening kit

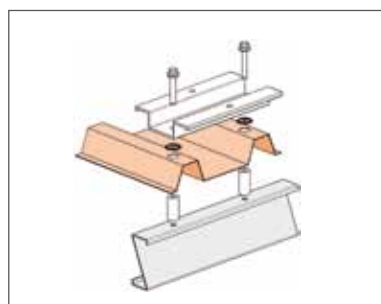
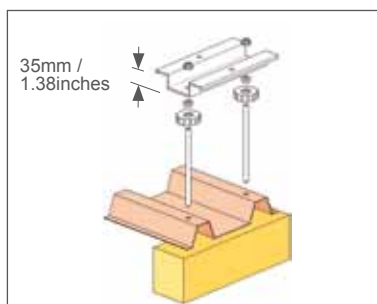
For distance between crests of

- up to 250mm / 9.84inches
- up to hanger bolt size M10

**113006-000** FixT Gr.3 Twin fastening kit

For distance between crests of

- greater than 250mm / 9.84 inches



# FixE and FixT

## Fastening elements

### 113007-000 FixT Gr.4 Quadruple fastening kit

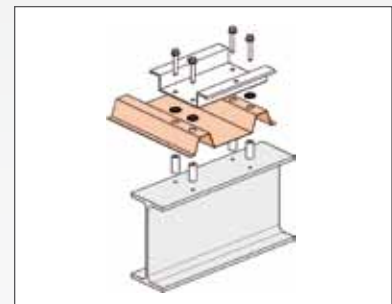
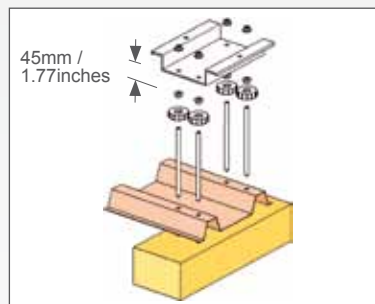
For distance between crests of

- up to 250mm / 9.84inches

### 113008-000 FixT Gr.5 Quadruple fastening kit

For distance between crests of

- greater than 250mm / 9.84inches



### Area of application

Elevation systems such as CompactVario and CompactGrid

### Important information on structural safety

Support components are adapted to the roof covering, the corresponding screws are selected, and the length of the distance tubes is determined. The structural dimensioning of the complete construction (roof connections, support plates, elevation) is carried out using a convenient structural-calculation program.



## Technical data

<b>Material</b>	Bolts: Quality steel 1.4301, 8mm for steel purlins, hanger-bolts M10 or M12 for wooden purlins. Distance tubes: Alu. diam. 20 mm/16mm / 0.79" / 0.63" (only for steel purlins). Concentric EPDM-seal, UV-resistant in steel purlin assemblies. Custom-designed sealing top or rubber seal for corrugated roofs with wooden purlin assemblies. Sealing collar, EPDM rubber-moulded part, UV-resistant Load-bearing components: Top-hat profiles: Aluminium; fastening bracket VA (FixE1) or mounting plate aluminium (FixE2)
<b>Statics</b>	Structural analysis in accordance with current national standards (in Germany DIN1055 and EC1). a) Roof-parallel mounting: Tables containing the number of fastening points b) Elevations. Structural analysis project planning program CompactVario

System prices can be obtained quickly and easily with our Autokalkulator!  
Please refer to our website: [www.schletter.eu](http://www.schletter.eu)



# MODULE CLAMPS

Our products in the area: Fastening elements:

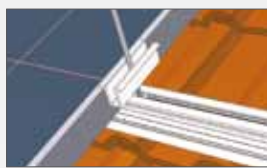
Clamps for framed modules

Clamps for unframed modules

# For framed modules

## Module clamps

Scan this QR code with your Smartphone to receive further info relating to this product area.



Mounting plan

## for framed modules

Module clamps for fit majority of modules.

Alu module end clamps for framed modules

Optimum holding force in the critical edge zones of the plant.

Module middle clamps, length 100mm, clamping depth 3mm

Optimal distribution of clamping pressure along the module frame

Gap between modules: approx. 20mm

### Module clamps without accessories

Frame height mm inches	Standard			anodized in black			Compatible socket head screw		
	End clamp	Middle clamp	Earth. mid. clamp	End clamp	Middle clamp	Earth. mid. clamp	mm	inches	
20	0.79	130001-020	130002-000	135001-000	130001-920	130002-900	135001-900	25	0.98
24	0.94	130001-024	130002-000	135001-000	130001-924	130002-900	135001-900	30	1.18
28	1.10	130001-028	130002-000	135001-000	130001-928	130002-900	135001-900	35	1.38
30	1.18	130001-030	130002-000	135001-000	130001-930	130002-900	135001-900	35	1.38
31	1.22	130001-031	130002-001	135001-001	130001-931	130002-901	135001-901	20	0.79
32	1.26	130001-032	130002-001	135001-001	130001-932	130002-901	135001-901	20	0.79
34	1.34	130001-034	130002-001	135001-001	130001-934	130002-901	135001-901	20	0.79
35	1.38	130001-035	130002-001	135001-001	130001-935	130002-901	135001-901	20	0.79
36	1.42	130001-036	130002-001	135001-001	130001-936	130002-901	135001-901	25	0.98
38	1.50	130001-038	130002-001	135001-001	130001-938	130002-901	135001-901	25	0.98
40	1.57	130001-040	130002-001	135001-001	130001-940	130002-901	135001-901	25	0.98
41	1.61	130001-041	130002-001	135001-001	130001-941	130002-901	135001-901	30	1.18
42	1.65	130001-042	130002-001	135001-001	130001-942	130002-901	135001-901	30	1.18
43	1.69	130001-043	130002-001	135001-001	130001-943	130002-901	135001-901	30	1.18
44	1.73	130001-044	130002-001	135001-001	130001-944	130002-901	135001-901	30	1.18
45	1.77	130001-045	130002-001	135001-001	130001-945	130002-901	135001-901	30	1.18
46	1.81	130001-046	130002-001	135001-001	130001-946	130002-901	135001-901	35	1.38
48	1.89	130001-048	130002-001	135001-001	130001-948	130002-901	135001-901	35	1.38
50	1.97	130001-050	130002-001	135001-001	130001-950	130002-901	135001-901	35	1.38
51	2.01	130001-051	130002-001	135001-001	130001-951	130002-901	135001-901	35	1.38

↪ c.f. Screws, bolts and accessories



**135004-000** Metal piece for module grounding

(to be combined with standard clamps)

**139003-000** VA module clamp "claw" (e.g. for Sanyo module)

Compatible accessories: M8x35



Mounting plan

System Rapid aluminium module clamps<sup>2+</sup> assembled  
incl. screws for Torx M8 wrench with underhead serration  
and anti-friction coating

### Assembled aluminium module clamps

Frame height mm	inches	anodized in black							
		End clamp	End clamp Universal	Middleclamp	Grounding middle clamp	End clamp	End clamp Universal	Middle clamp	Grounding middle clamp
30	1.18	131001-030	131002-000	131003-000	135002-000	131001-930	131002-900	131003-900	135002-900
31	1.22	131001-031	131002-000	131003-000	135002-000	131001-931	131002-900	131003-900	135002-900
32	1.26	131001-032	131002-000	131003-000	135002-000	131001-932	131002-900	131003-900	135002-900
33	1.30	131001-033	131002-000	131003-000	135002-000	131001-933	131002-900	131003-900	135002-900
34	1.34	131001-034	131002-000	131003-000	135002-000	131001-934	131002-900	131003-900	135002-900
35	1.38	131001-035	131002-000	131003-000	135002-000	131001-935	131002-900	131003-900	135002-900
36	1.42	131001-036	131002-000	131003-000	135002-000	131001-936	131002-900	131003-900	135002-900
37	1.46	131001-037	131002-000	131003-000	135002-000	131001-937	131002-900	131003-900	135002-900
38	1.50	131001-038	131002-000	131003-000	135002-000	131001-938	131002-900	131003-900	135002-900
39	1.54	131001-039	131002-000	131003-000	135002-000	131001-939	131002-900	131003-900	135002-900
40	1.57	131001-040	131002-001	131003-001	135002-001	131001-940	131002-901	131003-901	135002-901
41	1.61	131001-041	131002-001	131003-001	135002-001	131001-941	131002-901	131003-901	135002-901
42	1.65	131001-042	131002-001	131003-001	135002-001	131001-942	131002-901	131003-901	135002-901
43	1.69	131001-043	131002-001	131003-001	135002-001	131001-943	131002-901	131003-901	135002-901
44	1.73	131001-044	131002-001	131003-001	135002-001	131001-944	131002-901	131003-901	135002-901
45	1.77	131001-045	131002-001	131003-001	135002-001	131001-945	131002-901	131003-901	135002-901
46	1.81	131001-046	131002-001	131003-001	135002-001	131001-946	131002-901	131003-901	135002-901
47	1.85	131001-047	131002-001	131003-001	135002-001	131001-947	131002-901	131003-901	135002-901
48	1.89	131001-048	131002-001	131003-001	135002-001	131001-948	131002-901	131003-901	135002-901
49	1.93	131001-049	131002-001	131003-001	135002-001	131001-949	131002-901	131003-901	135002-901
50	1.97	131001-050	130002-001	131003-001	135002-001	131001-950	131002-901	131003-901	135002-901

### Linear clamping

Here the clamp wedge is rotated through 90°.

**131010-0XX** End clamp Rapid<sup>2+</sup> H (XX=Frame height in mm)

**131010-9XX** End clamp Rapid<sup>2+</sup> H (XX=Frame height in mm) black anodized

**131012-000** Middle clamp Rapid<sup>2+</sup> H30-39mm

**131012-900** Middle clamp Rapid<sup>2+</sup> H30-39mm black anodized

**131012-001** Middle clamp Rapid<sup>2+</sup> H40-50mm

**131012-901** Middle clamp Rapid<sup>2+</sup> H40-50mm black anodized

# For unframed modules

## Module clamps

Scan this QR code with your Smartphone to receive further info relating to this product area.



Mounting plan

## For unframed modules

Laminate Profi, Eco & GS series

Adjustable to thickness of the respective module

Note: Please observe tightening torque!

(see also: General information on laminate mounting)

### Laminate Profi series

For laminate thickness 3-14mm / 0.12-0.55inches

Glass inset: Profi narrow: 11mm, Profi wide: 15mm

Gap between modules: approx. 20mm

incl. countersunk head screw and square nut



**132201-308** Middle clamp Profi narrow 3-8mm kit (0.12-0.31inches)

**132201-914** Middle clamp Profi narrow 9-14mm kit (0.35-0.55inches)

**132101-308** End clamp Profi narrow 3-8mm kit (0.12-0.31inches)

**132101-914** End clamp Profi narrow 9-14mm kit (0.35-0.55inches)

**132202-308** Middle clamp Profi wide 3-8mm kit (0.12-0.31inches)

**132202-914** Middle clamp Profi wide 9-14mm kit (0.35-0.55inches)

**132201-308** End clamp Profi wide 3-8mm kit (0.12-0.31inches)

**132201-914** End clamp Profi wide 9-14mm kit (0.35-0.55inches)

**139001-000** Support rubber for laminate mounting

This is inserted into the cross beam and prevents sagging of the module. Only used with Profi laminate!

## Eco laminate series

11 mm glass inset; gap between modules approx. 22mm  
(no compression of laminates)



**133240-040** Middle clamp Eco4 4mm laminate (for 4mm laminate)

**133240-140** Middle clamp Eco4 4mm laminate kit (with accessories\* M8x20)



**133140-040** End clamp Eco4 4mm laminate (for 4mm laminate)

**133140-140** End clamp Eco4 4mm laminate kit (with accessories\* M8x20)

\*with no click component!



**133260-068** Middle clamp Eco6 6.8mm laminate (0.27inches)

**133260-168** Middle clamp Eco6 6.8mm laminate kit (with accessories\* M8x20)



**133160-068** End clamp Eco6 6.8mm laminate (0.27inches)

**133160-168** End clamp Eco6 6.8mm laminate kit (with accessories\* M8x20)

\*with no click component!

**With manufacturer certification for laminated modules by First Solar**



**133280-080** Middle clamp Eco8 8mm laminate (0.31 inches)

**133280-180** Middle clamp Eco8 8mm laminate kit (with accessories\* M8x20)



**133180-080** End clamp Eco8 8mm laminate (0.31 inches)

**133180-180** End clamp Eco8 8mm laminate kit (with accessories\* M8x20)

\*with no click component!

**Eco clamps also available on request in customized lengths**

# For unframed modules

## Module clamps



**139004-000** Bearing plate Module clamp Eco (optional)  
For raising the contact surface

**973000-012** Distance piece  
for laminate thickness 4-10mm / 0.16-0.39inches

**139008-000** Safety hooks for laminate thickness 6.8mm

**139008-001** Safety hooks for laminate thickness 8mm  
prevents the module from sliding

**134060-068** GS6 clamp scaled 6.8mm laminate (for 6.8mm laminate)

**134060-168** GS6 clamp scaled 6.8mm laminate M8x20  
(with accessory M8x20)

**134080-080** GS8 clamp scaled 8mm laminate (for 8mm laminate)

**134080-180** GS8 clamp scaled 8mm laminate M8x20  
(with accessory M8x20)

\*with no click component!

**No certification for First Solar !**



# Notes

---

---

---

---

---

---

---

---

---

---

---

---

---

---

---

---

---

---

---

---

---

---

---

---



# STANDARD PROFILES AND ACCESSORIES

Our products in the area: Standard profiles and accessories:

Profile series 05

Cable duct MaxK

# Profile series 05

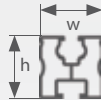
## Standard profiles and accessories

Scan this QR code with your Smartphone to receive further info relating to this product area.



Available lengths

m	inches
4	157
6	236
and customized lengths	



## Profile series 05

The profile series 05 for the proven Klick system with compatible accessories. Assembly with square nuts, Klicksystem and Rapid2+ ➔ c.f. also structural analysis tables for cross beams



for narrow spans

### Module bearing profile Eco05

**Mechanical connection:**

Top: Klick groove M8

Bottom: Screw channel M10

	Breadth	Height
mm	30	30
inches	1.18	1.18

**120001-001** Custom cut

**120001-004** 4m / 157inches

**120001-006** 6m / 236inches



### Module-bearing profile SoloLight

**Mechanical connection:**

Top: Klick groove M8

Bottom: Screw channel M10

	Breadth	Height
mm	40	40
inches	1.57	1.57

**Cannot be combined**

with 129009-xxx

**120005-001** Custom cut

**120005-004** 4m / 157inches

**120005-006** 6m / 236inches



for wider spans

### Module bearing profile Solo05

**Mechanical connection:**

Top: Klick groove M8

Bottom: Screw channel M10

	Breadth	Height
mm	40	40
inches	1.57	1.57

**120002-001** Custom cut

**120002-004** 4m / 157inches

**120002-006** 6m / 236inches

**120002-906** black anodized (6m / 236inches)



with cable duct

## Module bearing profile Profi05

### Mechanical connection:

Top: Klick groove M8  
Bottom: Screw channel M10

	Breadth	Height
mm	40/62	40
inches	1.57/2.44	1.57

**120003-001** Custom cut

**120003-004** 4m / 157inches

**120003-006** 6m / 236inches



## Module-bearing profile SoloPlus

### Mechanical connection:

Top: Klick groove M8  
Bottom: Screw channel M10

	Breadth	Height
mm	40	60
inches	1.57	2.36

**120006-001** Custom cut

**120006-004** 4m / 157inches

**120006-006** 6m / 236inches



for wider spans

## Module bearing profile ProfiPlus05

### Mechanical connection:

Top: Klick groove M8  
Bottom: Screw channel M10

	Breadth	Height
mm	40	60
inches	1.57	2.36

**120004-001** Custom cut

**120004-004** 4m / 157inches

**120004-006** 6m / 236inches

**129001-002** U-connector Eco05, complete

**129002-000** Connector Solo or ProfiPlus, loose

**129002-900** Black anodized design

**129002-001** Connector Solo or ProfiPlus, pre-assembled

**129002-901** Black anodized design



# Profile series 05

## Standard profiles and accessories



**129003-000** Connector Profi, loose

**129003-001** Connector Profi, pre-assembled



**129001-003** Connector E Eco, pre-assembled

**129002-002** Connector E Solo, SoloLight, ProfiPlus, FixZ-7, FixZ-15, pre-assembled

**129003-002** Connector E Profi, pre-assembled



**129026-002** Cross rail connector Solo05 and Profi05

for length compensation.

Warning! Must not to be used within the module row!



**129060-001** Insertion connector Solo / Profi kit

**129004-000** KlickTop cross connector kit M8

with bolt, Klick and square nut for Klick groove M8  
for cross rail systems

➔ [GridNorm product sheet](#)



**129039-000** Rail cross connector VA plate M10 / M10

Wide plate incl. screw kit M10 / M10  
for special applications



**129011-002** Plastic end cap Solo Profi05

Available on request in large volumes with your company logo



### Cable duct Profi Solo Eco05

For the tidy and safe routing of cables - with cover  
(c.f. next page)

Mechanical connection: Click in

**129007-001** Custom cut

**129007-006** 6m / 236inches



### Cable duct Rechteck 25x40

With screw lug  
For the tidy and safe routing of cables - with cover  
(see below)  
Mechanical connection: Bolt M10 (must be drilled)

**129008-001** Custom cut

**129008-006** 6 m / 236 inches



### Cable duct cover

For cable ducts Profi05, additional and Rechteck cable duct. Increases protection, e.g. against damage caused by martens  
Not to be combined with 120005-xxx

**129009-001** Custom cut

**129009-006** 6m / 236inches

### Accessories for profile series 05:



**129010-008** KlickIn click component for nut M8

for easy insertion of the M8 square nut  
at any desired point of the M8 KlickIn groove



**129012-008** Proklip-S rectangular cable clip channel M8

Rectangular, for insertion into the Klickin channel M8  
to optimize cable routing



**129012-010** Proklip2000-B rounded cable clip channel M10

Rounded, for insertion into the M10 screw channel  
to optimize cable routing



**129005-000** Proklip-C cable clip for Solo05 and Profi05

Rectangular for insertion into the upper and lower  
screw channel for Solo05 and Profi05



**125003-000** Lightning protection clamp for 8 and 10mm

Alu completely pre-assembled (for wire diameter 8mm or 10mm)

# Profile series 05

## Standard profiles and accessories

### Area of application

Parts from all Schletter profile groups can be combined for application on pitched or flat roofs, and in open areas as well as with a variety of special systems.

Minimize raw materials requirements by selecting a profile from our wide range of products to best fit your own application!

### Technical data

<b>Material</b>	Bolts: Quality steel 1.4301; profiles: EN AW 6063 T66 / AlMgSi0.5 Sheet metal components: High-grade steel 1.4301
<b>Statics</b>	Structural analysis in accordance with current national standards (in Germany DIN1055 and EC1). Appendices for dimensioning the number of required fastening points, based on structural analysis. Please ensure you observe the structural analysis information for each case. Verification for adhesive forces of a roof to the substructure is not included in any of the general structural analysis appendices!

System prices can be obtained quickly and easily with our Autokalkulator!  
Please refer to our website: [www.schletter.eu](http://www.schletter.eu)



# Cable duct MaxK

## Standard profiles and accessories



Scan this QR code with your Smartphone to receive further info relating to this product area.



Mounting plan

### Cable duct MaxK overview

The cable duct system for flexible mounting of string cabling.



**129013-000** Cable duct MaxK, loose, 80x40x3000mm

**129013-001** Cable duct MaxK, loose, 120x40x3000mm



**129018-000** MaxK Vario duct 80x40x600-1000mm

**129018-001** MaxK Vario duct 80x40x900-1300mm

**129018-002** MaxK Vario duct 120x40x600-1000mm

**129018-003** MaxK Vario duct 120x40x900-1300mm

Extendable and can be mounted between cross beams without being cut.



**129014-000** Cable duct cover MaxK 80x1000 for MaxK Vario 129018-000

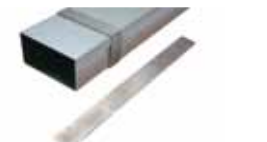
**129014-001** Cable duct cover MaxK 80x1300 for MaxK Vario 129018-001

**129014-003** Cable duct cover MaxK 120x1000 for MaxK Vario 129018-002

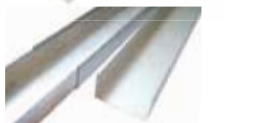
**129014-004** Cable duct cover MaxK 120x1300 for MaxK Vario 129018-003

**129014-002** Cable duct cover MaxK 80x3000 for MaxK 129013-000

**129014-005** Cable duct cover MaxK 120x3000 for MaxK 129013-001



**129015-000** Lid clip MaxK channel 80 or 120



**129016-000** Slide connector MaxK channel 80

**129016-001** Slide connector MaxK channel 120



**129017-000** Hook clip MaxK channel 80

**129017-001** Hook clip MaxK channel 120



# SYSTEM- RELATED COMPONENTS

Our products in the area: System-related components:

Inlay system

Plandach5

FixZ-7, FixZ-15

# Inlay system

## System-related components

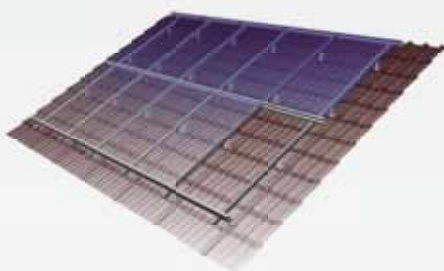
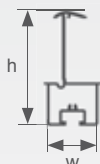
Scan this QR code with your Smartphone to receive further info relating to this product area.



Available lengths

m	inches
6	236
8	315

and customized lengths



## Inlay System Overview

The Schletter inlay system for roofs and open areas  
 ➔ c.f. also structural analysis tables for cross beams



### Important information

Modules with certification for a bespoke frame can be mounted in inlay systems, in so far as the certification is available. The module frame must be designed to withstand larger loads, as the unsupported span is much greater if the modules are mounted vertically.

### For roof applications



#### Module-bearing profile RI 1-b50

for frame heights 50mm / 1.97inches

#### Mechanical connection:

Top: Inlay area  
 Bottom: Screw channel M10

	Breadth	Height
mm	40	92
inches	1.57	3.62

**124803-001** Custom cut

**124803-006** 6m / 236inches

**124803-008** 8m / 315inches



#### Module-bearing profile RI 1-c50

For frame heights 50mm / 1.97inches

#### Mechanical connection:

Top: Inlay area  
 Bottom: Screw channel M10

	Breadth	Height
mm	40	92
inches	1.57	3.62

**124802-001** Custom cut

**124802-006** 6m / 236inches

**124802-008** 8m / 315inches



## Module-bearing profile RI 1-t50

For frame heights 50mm / 1.97inches

### Mechanical connection:

Top: Inlay area  
Bottom: Screw channel M10

	Breadth	Height
mm	40	92
inches	1.57	3.62

**124801-001** Custom cut

**124801-006** 6m / 236inches

**124801-008** 8m / 315inches



**129057-001** Profile connector, loose, RI 1

**129057-000** Profile connector, complete, RI 1, with self-drilling screws



**149003-001** Cover for module-bearing profile RI 1-b50



**149003-002** Cover for module-bearing profile RI 1-t50



**149003-003** Cover for module-bearing profile RI 1-c50



**943000-329** Barbed clout nail A2



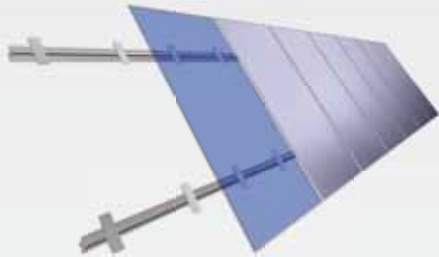
**149004-000** Spacer inlay system lower



**149004-001** Spacer inlay system lower

# Inlay system

## System-related components



### OptiBond

The bonding technique deployed as an optimal means of connecting large-surface modules, mechanically, to the substructure. For technical reasons, bonding of the OptiBond must be effected by the module manufacturer. Please contact your module manufacturer.

### Module-bearing profile OptiBond

For frame heights 50mm / 1.97inches



#### Mechanical connection:

Top: OptiBond anchor

Bottom: Screw channel M10

	Breadth	Height
mm	40	44
inches	1.57	1.73

**124702-001** Custom cut

**124702-004** 4m / 157inches

**124702-006** 6m / 236inches



loose



pre-assembled

**129002-000** Connector Solo or ProfiPlus, loose

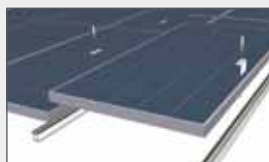
**129002-001** Connector Solo or ProfiPlus, pre-assembled

# Plandach5

## System-related components



Scan this QR code with your Smartphone to receive further info relating to this product area.



Mounting plan

## Plandach5 overview

The Schletter in-roof system



### Profile Plandach5

- 122001-001** Custom cut
- 122001-006** 6m / 236inches

- 129032-000** Overlay rubber Plandach5 for the bearing profile of laminate modules
- 129033-000** Distance profile Plandach5 at horizontal joints for laminate modules

- 129034-000** Plandach5 anti-slide kit for laminates

- 136201-040** Middle clamp Plandach5 kit for frames to 40mm (1.57inches)
- 136201-052** Middle clamp Plandach5 kit for frames to 52mm (2.05inches)
- 136101-0xx** End clamp Plandach5 custom kit for frames XX mm

- 136202-012** Middle clamp Plandach5 kit for laminates to 12mm (0.47inches)
- 136004-001** End clamp Plandach5 Laminates 6 and 8mm (0.24/0.31inches) Set

- 129035-000** Sealing underlay Plandach5 molded component  
For utilization when mounting profile on the roof covering
- 943000-004** Sealing screw 4.9x35 for wooden substructure
- 943000-002** Sealing screw 6.9x50 for wooden substructure

### BiPv 2-11 - project-specific

The new Schletter in-roof system fulfils all French legal requirements for full integration.

# FixZ-7 and FixZ-15

## System-related components

Scan this QR code with your Smartphone to receive further info relating to this product area.



## FixZ-7 and FixZ-15 Overview

Basic elevation



Mounting plan



### FixZ-7 system profile top

**Mechanical connection:**

Top: Klick groove M8

Bottom: Screw channel M10

	Breadth	Height
mm	40	130
inches	1.57	5.12

**121001-001** Custom cut

**121001-004** 4m / 157inches

**121001-006** 6m / 236inches



### FixZ-7 system profile bottom

**Mechanical connection:**

Top: Klick groove M8

Bottom: Screw channel M10

	Breadth	Height
mm	40	51
inches	1.57	2.01

**121002-001** Custom cut

**121002-004** 4m / 157inches

**121002-006** 6m / 236inches



**129002-002** Connector E, pre-assembled

For application above and below!





### FixZ-15 system profile top

**Mechanical connection:**

Top: Klick groove M8  
Bottom: Screw channel M10

	Breadth	Height
mm	40	262
inches	1.57	10.31

**121003-001** Custom cut

**121003-004** 4m / 157inches

**121003-006** 6m / 236inches



### FixZ-15 System profile bottom 20

Clamping area approx. 20% of the module area

**Mechanical connection:**

Top: Klick groove M8  
Bottom: Screw channel M10

	Breadth	Height
mm	40	76
inches	1.57	2.99

**121004-001** Custom cut

**121004-004** 4m / 157inches

**121004-006** 6m / 236inches



### FixZ-15 System profile bottom 25

Clamping area approx. 25% of the module area

**Mechanical connection:**

Top: Klick groove M8  
Bottom: Screw channel M10

	Breadth	Height
mm	40	103
inches	1.57	4.06

**121005-001** Custom cut

**121005-004** 4m / 157inches

**121005-006** 6m / 236inches



**129002-002** Connector E, pre-assembled

For application above and below!

**129019-001** Additional connector kit for FixZ-15 above

Also to be bolted to the profile!



# FLAT ROOF SYSTEMS

Our products in the area: Fastening elements:

Supports and accessories

# Flat roof systems

## Flat roof systems



Application examples

### Flat roof systems

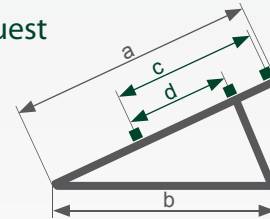
A diagonal bracing of the supporting structures can make sense with all types of flat-roof applications, depending on the substructure and the fastening method. This bracing can be mounted by the customer or can be ordered specifically with the system if required! Customized sizes, elevation angles etc. on request.



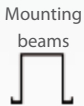
Supports, 30 degrees  
other angles available on request



Bottom profile



#### Flat roof support Light U (30 degrees, alu, bolted)



07 series	Module height	a	b	c	d
150001-100	approx. 1000mm / 39.4inches	965mm / 38.0inches	841mm / 33.1inches	530mm / 20.9inches	360mm / 14.2inches
150001-130	approx. 1300mm / 51.2inches	1195mm / 47.0inches	995mm / 39.2inches	850mm / 33.5inches	600mm / 23.6inches
150001-150	approx. 1500mm / 59.1inches	1445mm / 56.9inches	1390mm / 54.7inches	960mm / 37.8inches	690mm / 27.2inches

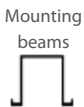


#### Flat roof support Light U (30 degrees, alu, bolted)

Flex Console	Module height	a	b	c	d
150101-100	approx. 1000mm / 39.4inches	965mm / 38.0inches	841mm / 33.1inches	530mm / 20.9inches	360mm / 14.2inches
150101-130	approx. 1300mm / 51.2inches	1195mm / 47.0inches	995mm / 39.2inches	850mm / 33.5inches	600mm / 23.6inches
150101-150	approx. 1500mm / 59.1inches	1445mm / 56.9inches	1390mm / 54.7inches	960mm / 37.8inches	690mm / 27.2inches



Bottom profile



#### Flat roof support Light N (30 degrees, alu, bolted)

07 series	Module height	a	b	c	d
150002-100	approx. 1000mm / 39.4inches	965mm / 38.0inches	841mm / 33.1inches	530mm / 20.9inches	360mm / 14.2inches
150002-130	approx. 1300mm / 51.2inches	1195mm / 47.0inches	995 mm / 39.2inches	850mm / 33.5inches	600mm / 23.6inches
150002-150	approx. 1500mm / 59.1inches	1445mm / 56.9inches	1390mm / 54.7inches	960mm / 37.8inches	690mm / 27.2inches



#### Flat roof support Light N (30 degrees, alu, bolted)

Flex Console	Module height	a	b	c	d
150102-100	approx. 1000mm / 39.4inches	965mm / 38.0inches	841mm / 33.1inches	530mm / 20.9inches	360mm / 14.2inches
150102-130	approx. 1300mm / 51.2inches	1195mm / 47.0inches	995mm / 39.2inches	850mm / 33.5inches	600mm / 23.6inches
150102-150	approx. 1500mm / 59.1inches	1445mm / 56.9inches	1390mm / 54.7inches	960mm / 37.8inches	690mm / 27.2inches



Bottom profile

Mounting beams



**Flat roof support Profi U (30 degrees, alu, bolted)**

07 series	Module height	a	b	c	d
151001-150	approx. 1500mm / 59.1inches	1445mm / 56.9inches	1390mm / 54.7inches	960mm / 37.8inches	690mm / 27.2inches

KlickTop mounting beam



**Flat roof support Profi U (30 degrees, alu, bolted)**

Flex Console	Module height	a	b	c	d
151101-150	approx. 1500mm / 59.1inches	1445mm / 56.9inches	1390mm / 54.7inches	960mm / 37.8inches	690mm / 27.2inches



Bottom profile

Mounting beams



**Flat roof support Profi N (30 degrees, alu. bolted)**

07 series	Module height	a	b	c	d
151002-150	approx. 1500mm / 59.1inches	1445mm / 56.9inches	1390mm / 54.7inches	960mm / 37.8inches	690mm / 27.2inches

KlickTop mounting beam

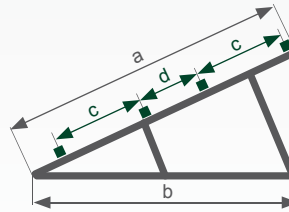


**Flat roof support Profi N (30 degrees, alu. bolted)**

Flex Console	Module height	a	b	c	d
151102-150	approx. 1500mm / 59.1inches	1445mm / 56.9inches	1390mm / 54.7inches	960mm / 37.8inches	690mm / 27.2inches



Bottom profile



Mounting beams



**Flat roof support Profi U (30 degrees, alu. bolted)**

07 series	Module height	a	b	c	d
151001-220	approx. 2200mm / 86.6inches	2200mm / 86.6inches	1995mm / 78.5inches	747mm / 29.4inches	460mm / 18.1inches

KlickTop mounting beam



**Flat roof support Profi U (30 degrees, alu. bolted)**

Flex Console	Module height	a	b	c	d
151101-220	approx. 2200mm / 86.6inches	2200mm / 86.6inches	1995mm / 78.5inches	747mm / 29.4inches	460mm / 18.1inches



Bottom profile

Mounting beams



**Flat roof support Profi N (30 degrees, alu. bolted)**

07 series	Module height	a	b	c	d
151002-220	approx. 2200mm / 86.6inches	2200mm / 86.6inches	1995mm / 78.5inches	747mm / 29.4inches	460mm / 18.1inches

KlickTop mounting beam



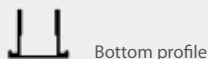
**Flat roof support Profi N (30 degrees, alu. bolted)**

Flex Console	Module height	a	b	c	d
151102-220	approx. 2200mm / 86.6inches	2200mm / 86.6inches	1995mm / 78.5inches	747mm / 29.4inches	460mm / 18.1inches

# Supports and accessories

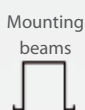
## Flat roof systems

Scan this QR code with your Smartphone to receive further info relating to this product area.

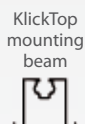


Bottom profile

### Flat roof support XL (30 degrees, alu. bolted)

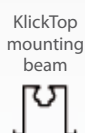


07 series	Module height	a	b	c	d
155001-300	approx. 3000mm / 118.1inches	2995mm / 117.9inches	2765mm / 108.9inches	1000mm / 39.4inches	700mm / 27.6inches
155001-320	approx. 3200mm / 126.0inches	3195mm / 125.8inches	2795mm / 110.0inches	approx. 1080mm / 42.5inches	733mm / 28.9inches
155001-360*	approx. 3600mm / 141.7inches	3595mm / 141.5inches	3495mm / 137.6inches	variable drill hole, 3-row arrangement possible	



### Flat roof support XL (30 degrees, alu. bolted)

Flex Console	Module height	a	b	c	d
155101-300	approx. 3000mm / 118.1inches	2995mm / 117.9inches	2765mm / 108.9inches	1000mm / 39.4inches	700mm / 27.6inches
155101-320	approx. 3200mm / 126.0inches	3195mm / 125.8inches	2795mm / 110.0inches	approx. 1080mm / 42.5inches	733mm / 28.9inches
155101-360*	approx. 600mm / 141.7inches	3595mm / 141.5inches	3495mm / 137.6inches	variable drill hole, 3-row arrangement possible	



### Flat-roof supports FlexXXL (options: 15, 20, 25 degrees, Alu, bolted)

Flex Console	Module height	Elevation angle	a	b
155102-001	approx. 5400mm / 212.6inches	15 degrees	5205mm / 204.9inches	5430mm / 213.8inches
155102-002	approx. 5400mm / 212.6inches	20 degrees	5205mm / 204.9inches	5430mm / 213.8inches
155102-003	approx. 5400mm / 212.6inches	25 degrees	5205mm / 204.9inches	5430mm / 213.8inches

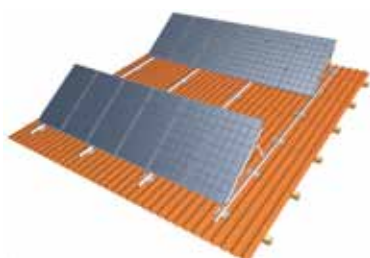
### Flat-roof supports FlexXXL (options: 15, 20, 25 degrees, Alu, bolted)

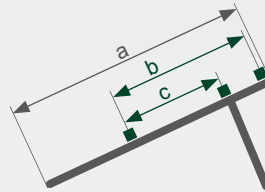


Bottom beam	Light U07 1m	Light U07 1.3m	Light U07 1.5m	Profi U07 1.5m
Hole distances	Item. 150001-100	Item. 150001-130	Item. 150001-150	Item. 151001-150
<b>A</b>	mm 537 +/-8	635 +/-8	940 +/-8	940 +/-8
	inches 21.14 +/-0.315	25 +/-0.315	37 +/-0.315	37 +/-0.315
<b>B</b>	mm 757 +/-8	855 +/-8	1160 +/-8	1160 +/-8
	inches 29.8 +/-0.315	33.66 +/-0.315	45.67 +/-0.315	45.67 +/-0.315

Upper support components for application with systems incorporating continuous beams

Fittings kits must be considered when compiling and ordering systems.





**Flat roof support upper Light**

07 series	Module height	a	b	c
150003-000	approx. 1000mm / 39.4inches	965mm / 38.0inches	530mm / 20.9inches	360mm / 14.2inches
150003-001	approx. 1300mm / 51.2inches	1195mm / 47.0inches	850mm / 33.5inches	600mm / 23.6inches
150003-002	approx. 1500mm / 59.1inches	1445mm / 56.9inches	960mm / 37.8inches	690mm / 27.2inches



**Flat roof support upper Light**

Flex Console	Module height	a	b	c
150103-000	approx. 1000mm / 39.4inches	965mm / 38.0inches	530mm / 20.9inches	360mm / 14.2inches
150103-001	approx. 1300mm / 51.2inches	1195mm / 47.0inches	850mm / 33.5inches	600mm / 23.6inches
150103-002	approx. 1500mm / 59.1inches	1445mm / 56.9inches	960mm / 37.8inches	690mm / 27.2inches



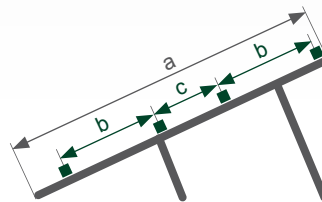
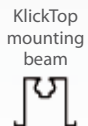
**Flat roof support upper Profi**

07 series	Module height	a	b	c
151003-000	approx. 1500mm / 59.1inches	1445mm / 56.9inches	960mm / 37.8inches	690mm / 27.2inches



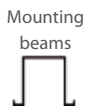
**Flat roof support upper Profi**

Flex Console	Module height	a	b	c
151103-000	approx. 1500mm / 59.1inches	1445mm / 56.9inches	960mm / 37.8inches	690mm / 27.2inches



**Flat roof support upper Profi**

07 series	Module height	a	b	c
151003-001	approx. 2200mm / 86.6inches	2200mm / 86.6inches	747mm / 29.4inches	460mm / 18.1inches



**Flat roof support upper Profi**

Flex Console	Module height	a	b	c
151103-001	approx. 2200mm / 86.6inches	2200mm / 86.6inches	747mm / 29.4inches	460mm / 18.1inches



# Supports and accessories

## Flat roof systems



Various sizes



### Accessories

So-named fittings kits must be considered when compiling and ordering systems.

<b>159000-002</b> Fastening kit 07 for CompactVario basic for mounting support upper parts to the bottom beam
--

<b>129004-000</b> KlickTop cross connector kit M8 For fastening the cross beam to the mounting beam
--

### Windsafe (project-specific)

Rear-side covering for elevated PV plants for reduction of wind loads (components are manufactured to specific project specification and only on request).

<b>159000-150</b> Tens. strut 1500mm kit diagonal bracing Length approx. 1.5m / approx. 59.1inches
---

<b>159000-200</b> Tens. strut 2000 mm kit diagonal bracing Length approx. 2.0m / approx. 78.7inches
--

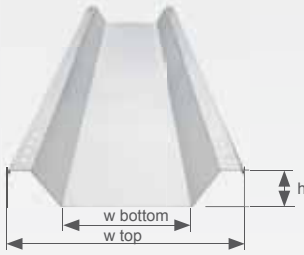
<b>159000-250</b> Tens. strut 2500 mm kit diagonal bracing Length approx. 2.5m / approx. 98.4inches
--

<b>159000-300</b> Tens. strut 3000 mm kit diagonal bracing Length approx. 3.0m / approx. 118inches
---

<b>159000-400</b> Tens. strut 4000 mm kit diagonal bracing Length approx. 4.0m / approx. 157inches
---

Kit with self-drilling screws





## Support accessories

SolTub (Alu tray system  
for gravel loading)  
Gravel tray: standard length  
2.2m / 86.6inches

	w bottom	w top	h
mm	227	428	77
inches	8.9	16.9	3.0

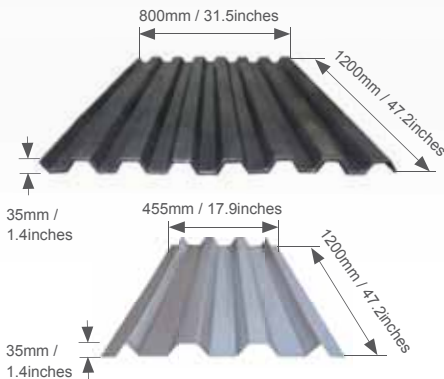
	w bottom	w top	h
mm	332	588	130
inches	13.1	23.1	5.1

**161001-000** SolTub S Gravel tray  
For 36kg pro m, 2.2m (small)

**161002-000** SolTub L Gravel tray  
For 92kg pro m, 2.2m (large)

**161001-001** SolTub S End cover  
**161002-001** SolTub L End cover

**159000-007** concrete block loading kit, Alu  
for loading with concrete slabs or similar  
- in pairss incl. 2 screw kit



**160001-000** SolRack Plastic tray kit  
compatible with all support designs, for loading with existing  
gravel or concrete slabs.  
incl. screw kit for fastening  
Material thickness: 8mm / 0.315inches  
Surface area: 0.96m<sup>2</sup>

**160002-001** SolRack Alu (1 plate)  
Material thickness: 1mm / 0.04inches  
Surface area: 0.55m<sup>2</sup>

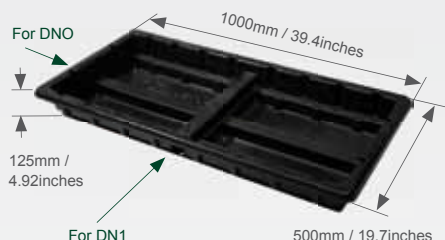
## Accessory SolRack Alu

(order 2 pieces for each plate!)

**943610-025** Bolt M10x25 hex. head DIN933 A2 GMB  
**943922-010** Underlay plate large M10 DIN9021 A2  
**943912-010** Locking flange nut M10 DIN6923 A4

# Supports and accessories

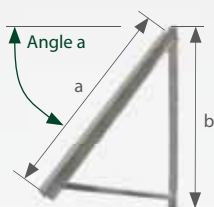
## Flat roof systems



### 162001-000 Sol Cube kit

Compatible with all designs, for loading with gravel or with concrete slabs., incl. screw kit for fastening

### 162001-001 Sol Cube (no accessories)



## Special supports

**Facade support** with 15, 20, 25 [...]5°-increments], 70, 75 degrees  
To select the support angle (angle a), please specify the module inclination relative to the horizontal - aluminium, screwed

### Flat roof support upper part Profi

		Module height	a	b
156001-100	Light 10	approx. 0.8-1.0m / 31.5-39.4inches	820mm / 32inches	840mm / 33inches
156001-130	Light 13	approx. 1.0-1.3m / 39.4-51.2inches	1050mm / 41inches	1050mm / 41inches
156001-160	Light 16	approx. 1.3-1.6m / 51.2-63.0inches	1285mm / 50.6inches	1260mm / 49.6inches
156002-160	Light 16	approx. 1.3-1.6m / 51.2-63.0inches	1285mm / 50.6inches	1260mm / 49.6inches



**Vegetated-roof support for modules of up to 1.6m** at 15, 20, 25, 30 degrees  
Please state the desired inclination!  
Aluminum, bolted;  
approx. 0.4m / 15.75inches clearance  
Length of module angle: approx. 1.5m / 59.06inches  
compatible accessories: as for support Profi

### 152001-000 Vegetated-roof support for modules of up to 1.6m

### 154001-000 Vegetated roof support for CompactVario kit (incl. fittings kits)



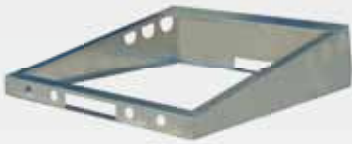
### 153001-000 Flat roof or bottom support VarioTop (10 to 60 degrees)

The variable support with summer and winter settings!  
10% more annual yield with one-off time re-set  
in spring and in autumn!



## AluGrid (project-specific)

Material and tool-optimized system by which modules are fastened to flat roofs in closed rows with a fixed elevation angle of 15 degrees, with minimal ballast.



## AluLight kit

The basic 12-degree elevation for flat roof. Only possible if standard module clamps are used. Concrete slabs are used for loading.

Flat roof support upper part Profi		
	for module width	for module length
165004-001	790-890mm / 31.1-35inches	1200-1599mm / 47.2-62.9inches
165004-002	890-990mm / 35-39inches	1200-1599mm / 47.2-62.9inches
165004-003	990-1090mm / 39-42.9inches	1200-1599mm / 47.2-62.9inches
165001-001	790-890mm / 31.1-35inches	1600-2000mm / 63-78.7inches
165001-002	890-990mm / 35-39inches	1600-2000mm / 63-78.7inches
165001-003	990-1090mm / 39-42.9inches	1600-2000mm / 63-78.7inches

## AluLight support chassis for edge zones

AluLight with only 330 mm / 13 inches for edge zones

Flat roof support upper part Profi		
	for module width	for module length
165003-001	790-890mm / 31.1-35inches	1200-2000mm / 47.2-78.7inches
165003-002	890-990mm / 35-39inches	1200-2000mm / 47.2-78.7inches
165003-003	990-1090mm / 39-42.9inches	1200-2000mm / 47.2-78.7inches



## Windsafe AluLight

Compatible Windsafe designs for AluLight

Flat roof support upper part Profi		
	for module width	for module length
169001-001	790-890mm / 31.1-35inches	1200-1599mm / 47.2-62.9inches
169001-002	890-990mm / 35-39inches	1200-1599mm / 47.2-62.9inches
169001-003	990-1090mm / 39-42.9inches	1200-1599mm / 47.2-62.9inches
169001-004	790-890mm / 31.1-35inches	1600-2000mm / 63-78.7inches
169001-005	890-990mm / 35-39inches	1600-2000mm / 63-78.7inches
169001-006	990-1090mm / 39-42.9inches	1600-2000mm / 63-78.7inches



### 169003-001 AluLight TF 600x1200 kit

For laminates of 600x1200mm / 23.6 x 47.2inches  
Arrangement 2 modules vertical



### 169004-001 Surface protection mat 1m x10m, 6mm with alu lamination



# SPECIAL PROFILES

Our products in the area: Special Profiles:

Profile series DN

# Profile series DN

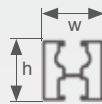
## special profiles

Scan this QR code with your Smartphone to receive further info relating to this product area.



Available lengths

m	inches
6	236
and customized lengths	



## Profile series DN Overview

Double groove profiles available with a variety of span widths as load distribution beams and continuous beams for the different systems, e.g. cross rail mounting, CompactVario, CompactGrid Optimal combination potential with the well-proven Klick-system.



### Mounting beam DN0

**Mechanical connection:**

Top: Klick groove M10  
Bottom: Screw channel M10

	Breadth	Height
mm	40	40
inches	1.57	1.57

**123001-001** Custom cut

**123001-006** 6m / 236inches



### Mounting beam DN1

**Mechanical connection:**

Top: Klick groove M10  
Bottom: Screw channel M10

	Breadth	Height
mm	40	80
inches	1.57	3.15

**123002-001** Custom cut

**123002-006** 6m / 236inches



### Mounting beam DN2.5

**Mechanical connection:**

Top: Klick groove M10  
Bottom: Screw channel M10

	Breadth	Height
mm	50	110
inches	1.97	4.33

**123004-001** Custom cut

**123004-006** 6m / 236inches



## Mounting beam DN3

### Mechanical connection:

Top: Klick groove M10

Bottom: Screw channel M10

	Breadth	Height
mm	80	120
inches	3.15	4.72

**123005-001** Custom cut

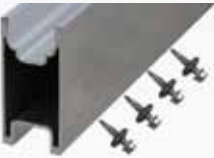
**123005-006** 6m / 236inches



## Accessories for profile series DN:

**129025-000** Connector profile DN0 DN1 kit

incl. bolts and nuts



**129006-000** Insertion connector DN1 kit

incl. safety screws



**129029-000** Insertion connector DN 2.5 kit

incl. safety screws



**129030-000** Connector profile DN3 kit

incl. bolts and nuts



**129023-000** Dowel clamp DN0/Solo05

for special applications

**129024-000** Dowel clamp DN1

for special applications

# Profile series DN

## special profiles



### 129004-001 KlickTop cross connector kit M10

with bolt, Klick and square nut for Klick groove M10  
suitable for DN0 and DN1

➔ [Product Sheet GridNorm](#)

### 129010-001 KlickIn click component for nut M10

for simplified insertion of the square nut M10  
at any desired point along the M10 KlickIn-groove

### 129012-010 Proklip2000-B rounded cable clip channel M10

Rounded, for insertion into the M10 screw channel  
to optimize cable routing

## Area of application

Parts from all Schletter profile groups can be combined for application on pitched or flat roofs, and in open areas as well as with a variety of special systems.

Minimize raw materials requirements by selecting a profile from our wide range of products to best fit your custom application!

## Technical data

**Material** Bolts: Quality steel 1.4301; profiles: EN AW 6063 T66 / AlMgSi0.7  
Sheet metal components: High-grade steel 1.4301

**Statics** Structural analysis in accordance with current national standards (in Germany DIN1055 and EC1). Appendices for dimensioning the number of required fastening points, based on structural analysis. Please ensure you observe the structural analysis information for each case. Verification for adhesive forces of a roof to the substructure is not included in any of the general structural analysis appendices!

System prices can be obtained quickly and easily with our Autokalkulator!  
Please refer to our website: [www.schletter.eu](http://www.schletter.eu)







# LARGE PROJECTS

# SystemFS, PvMax3, Park@Sol, IsoTop

Large projects



## Large projects

### SystemFS, PvMax3, Park@Sol, IsoTop

Large projects are individually dimensioned and are compiled in-house prior to dispatch.

We are looking forward to your inquiry!



#### Open area - SystemFS, PvMax3

Each FS open area system is custom-designed for assembly in its designated location. In addition to the pile-driving technology of the FS system, a concrete foundation system is also available with the PvMax3.

➔ [FS/PvMax3 Product /mounting sheets](#)



FS system



PvMax3

## Carports - Park@Sol

Solar carports provide a welcome supplement of power for wide-area utilization of photovoltaic energy, particularly given that the roof areas on carports are generally granted the maximum compensation, according to the Renewable Energy Sources Act!

➔ [Park@Sol Product Sheet](#)



## Industrial Foil Roof – IsoTop

The substructure of an industrial foil roof generally has very large distances between girders.. The IsoTop system with supports spanning up to 10m allows for project-specific solutions requiring no additional loading of the roof covering.

➔ [IsoTop Product Sheet](#)





# SCREWS, BOLTS AND ACCESSORIES

## Screws, bolts and accessories



Hexagon head screw, VA

<b>943608-025</b> M8x25
<b>943610-020</b> M10x20
<b>943610-025</b> M10x25
<b>943610-030</b> M10x30
<b>943610-035</b> M10x35
<b>943610-100</b> M10x100



Hexagon head screw, VA

<b>943410-025</b> M10x25
--------------------------



Carriage bolt, VA

<b>943510-020</b> M10x20
<b>943510-025</b> M10x25



Serrated flange nut with integrated anti-twist device in the flange, VA

<b>943912-008</b> M8
<b>943912-010</b> M10
<b>943912-012</b> M12





### Hexagon nut, VA

**943916-008** M8

**943916-010** M10

**943916-012** M12



### Shim, VA

**943921-008** M8

**943921-010** M10

**943921-012** M12



### Large shim, VA

**943922-008** M8

**943922-010** M10

**943922-012** M12



### Hexagon socket head screw

**943308-120** M8x20 with underhead serration

**943308-125** M8x25 with underhead serration

**943308-130** M8x30 with underhead serration

**943308-135** M8x35 with underhead serration

**943308-040** M8x40

**943308-055** M8x55

**943308-060** M8x60



**943000-034** SecuFix anti-theft device for hexagon socket head screw M8

**182003-000** SecuFix steel ball for TORX T40 5.00mm (Rapid)

This is simply hammered into the socket head!

**182001-000** Hammering tool for SecuFix anti-theft device

**182001-001** Hammering tool SecuFix für TORX 5mm

**182002-000** SecuFix2 Anti-theft device kit for an even higher level of protection



# Screws, bolts and accessories



<b>943914-008</b> Square nut M8, V4A
Compatible with all Schletter system profiles in combination with Klick-groove and Klickin click components
<b>943914-010</b> Square nut M10, V4A
<b>943914-108</b> Special square nut M8, V4A (design as with M10)
Compatible with all Schletter system profiles, can be combined with click-groove M10 and KlickIn click components



## Self-locking nut, V4A

<b>943911-008</b> M8
<b>943911-010</b> M10
<b>943911-012</b> M12



## Locking washer, VA

<b>943931-008</b> M8
<b>943931-010</b> M10
<b>943931-108</b> M8 extra narrow



## Self-tapping thread screw

for steel < 2 mm

<b>943765-050</b> 6.5x50
<b>943765-075</b> 6.5x75
<b>943765-100</b> 6.5x100
<b>943765-125</b> 6.5x125
<b>943765-150</b> 6.5x150
<b>943765-200</b> 6.5x200

for steel > 1.5mm

<b>943718-064</b> 8x64
<b>943718-100</b> 8x100
<b>943718-125</b> 8x125 - on request
<b>943718-150</b> 8x150
<b>943718-200</b> 8x200 - on request



### EPDM-rubber inlay 3mm self-adhesive, 10m-roll, UV-resistant

for example for clamps for trapezoidal sheet metal, or for laminate modules.

<b>973000-013</b> 25mm wide
-----------------------------

<b>973000-014</b> 48mm wide
-----------------------------

<b>973000-015</b> 80mm wide
-----------------------------

### Wood screw

We recommend at least 80 mm for unboarded roofs, and for roofs with boarding and counter battens at least 120mm!



### Wood screw VA

<b>943108-080</b> 8x80
------------------------

<b>943108-100</b> 8x100
-------------------------

<b>943108-120</b> 8x120
-------------------------

<b>943108-150</b> 8x150
-------------------------

<b>943108-200</b> 8x200
-------------------------



### Galvanized wood screw

<b>942108-080</b> 8x80
------------------------

<b>942108-100</b> 8x100
-------------------------

<b>942108-120</b> 8x120
-------------------------

<b>942108-150</b> 8x150
-------------------------

<b>942108-200</b> 8x200
-------------------------

## Screws and accessories



### Flat-headed wood screw VA 1.4301

<b>943208-080</b>	8x80
<b>943208-100</b>	8x100
<b>943208-120</b>	8x120
<b>943208-160</b>	8x160
<b>943208-200</b>	8x200
<b>943208-240</b>	8x240
<b>943208-260</b>	8x260
<b>943208-300</b>	8x300
<b>943208-340</b>	8x340
<b>943208-360</b>	8x360
<b>943208-400</b>	8x400



### Galvanized, flat-headed wood screw

<b>942208-080</b>	8x80
<b>942208-100</b>	8x100
<b>942208-120</b>	8x120
<b>942208-160</b>	8x160
<b>942208-200</b>	8x200
<b>942208-240</b>	8x240
<b>942208-260</b>	8x260
<b>942208-300</b>	8x300
<b>942208-340</b>	8x340
<b>942208-360</b>	8x360
<b>942208-400</b>	8x400



#### **195000-002** Bit for TORX T40

For flat head wood screws, compatible with Rapid<sup>2+</sup> and more recent systems

#### **990000-211** Coupling shank with magnet

compatible with Torx T40-Bit, Length: 200mm

#### **195000-001** Ratchet wrench SW15

Compatible with flange nut M10

#### **195000-018** Core drill 17mm

#### **195000-019** Core drill 21mm

#### **195000-017** Schletter tool kit

➔ Schletter tool kit product sheet



#### **182019-001** PvSpin

Quick, protective surface cleaning of PV modules

➔ [Product Sheet PvSpin](#)

### Brochures

current version

**I400079GB** Mounting and project planning

**I400079GB** System structural analysis- Basic design for pitched roof

**I400080GB** System structural analysis- Basic design for pitched roof

System structural analysis - Complete design, including all appendices  
(on payment of a nominal charge)

**I113001DE** Service program Autokalkulator

with all current price lists, available in 5 languages

Service program shade calculation

For flat roof

**I400116MS** Info-CD with documentation and product images (On request)

### Trade fair stand

**I400150DE** Trade fair display stand "Standard systems"

Approx. 1x2m, Roll-up

**I400116DE** Trade fair display stand "IsoTop Industrial roof system"

Approx. 1x2m, Roll-up

**I400082DE** Trade fair display stand „FS Open Area system“

Approx. 1x2m, Roll-up

**I400084DE** Trade fair display stand "CompactVario"

Approx. 1x2m, Roll-up



### Sample case

current version

**195000-004** Sample case

Contains examples of current Schletter mounting system products



## Module stand

Module stand with metal base and wooden supports incl. fastening kit for module.  
Please specify module type with the order!

<b>195000-007</b> Module rack, Wood, for 1 module
---

<b>195000-008</b> Module rack, Alu, for 1 module
--



## Design software

Download version.

<b>198000-002</b> Software PVS Download version
---





**Schletter GmbH**

Alustrasse 1  
83527 Kirchdorf/Haag i.OB  
GERMANY

[www.schletter.eu](http://www.schletter.eu)

**Sales department**

Tel.: +49 8072 9191 – 480

Fax: +49 8072 9191 – 9480

E-Mail: [vertriebsinnendienst@schletter.de](mailto:vertriebsinnendienst@schletter.de)

**Technical advice and inquiries**

Tel.: +49 8072 9191 – 201

Fax: +49 8072 9191 – 9201

E-Mail: [anfragen@schletter.de](mailto:anfragen@schletter.de)

**Order processing**

Tel.: +49 8072 9191 – 205

Fax: +49 8072 9191 – 9205

E-Mail: [bestellung@schletter.de](mailto:bestellung@schletter.de)

**Logistics service**

Tel.: +49 8072 9191 – 206

Fax: +49 8072 9191 – 9206

E-Mail: [service@schletter.de](mailto:service@schletter.de)

**Information on workshops**

Tel.: +49 8072 9191 – 209

Fax: +49 8072 9191 – 9209

E-mail: [seminar@schletter.de](mailto:seminar@schletter.de)



For a comprehensive and competent consulting in the planning of your plant and for questions concerning logistics and order processing, our members of staff are available from Monday to Friday from 7 am to 5 pm.



Scan this QR code with your Smartphone to receive the Schletter App

**SCHLETTER**